

### \*Standard Type



### ■ AC Voltage Measurement

Model	Range	Input Impedance	Frequency Range	Input Protection
AP-166-12	999.9mV	10MΩ	40Hz~10kHz	100V
AP-166-13	9.999V	10MΩ	40Hz~10kHz	100V
AP-166-14	99.99V	10MΩ	40Hz~4kHz	300V
AP-166-15	700.0V	10MΩ	40Hz~1kHz	700V

Accuracy:  $\pm(0.3\%$  of rdg. + 3 digit) (23°C  $\pm$  5°C, 35 ~ 85%RH)

### ■ AC Current Measurement

Model	Range	Internal Resistance	Frequency Range	Input Protection
AP-166-22	999.9μA	1kΩ	40Hz~1kHz	10mA
AP-166-23	9.999mA	100Ω	40Hz~1kHz	50mA
AP-166-24	99.99mA	10Ω	40Hz~1kHz	200mA
AP-166-25	999.9mA	1Ω	40Hz~1kHz	1A

Accuracy:  $\pm(0.5\%$  of rdg. + 3 digit) (23°C  $\pm$  5°C, 35 ~ 85%RH)

### ■ Specifications

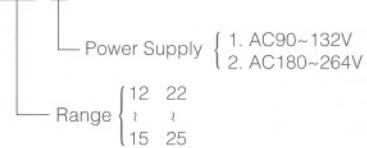
Input Configuration:	Single Ended input Impedance 10MΩ 100PF or less
Rectifier Circuit:	Represents effective Value of sine wave by demodulation of mean Value
Conversion Rate:	2.5/sec
Response Speed:	Approx. 2.5sec(10~90%)
Display:	LED, 14.2mm 4 digit
Decimal Point:	Settable to any digit positions
Overrange Indication:	When input exceeds the maximum display, flash display
External Control:	Hold; HOLD terminal and COM shorted
Power Supply:	AC90~132V AC180~264V
Operating Temperature:	0~50°C, 35 to 85%RH
Power Consumption:	Approx. 2VA
Dimensions:	48(H) × 96(W) × 95(D)mm DIN Size
Weight:	Approx. 270g
Dielectric Strength:	Between input terminal and earth(E), DC500V/1 min. Between power supply terminal and input terminal, COM, earth(E) AC1500V/1 min.
Insulation Resistance:	DC500V 100MΩ at above terminals

### ■ Features

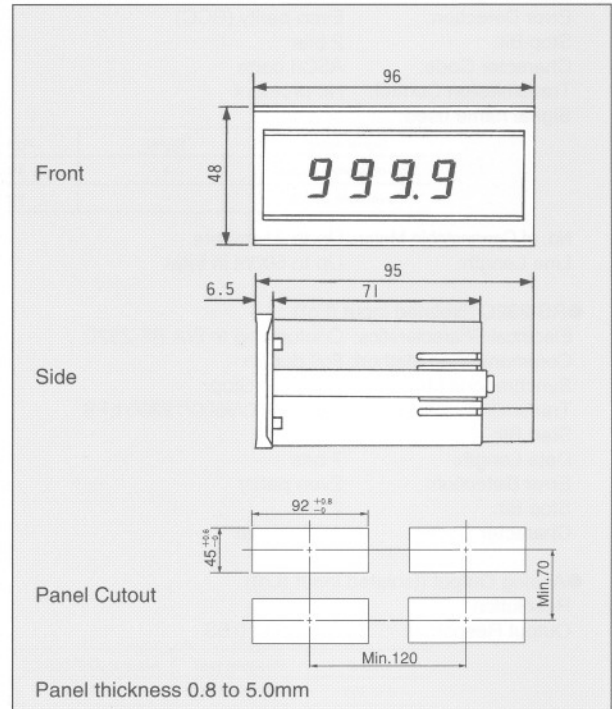
- Average
- Bright LED 14.2mm (Red)
- AC 999.9mV~700.0V, AC 999.9μA~999.9mA Measurement

### ■ Ordering Code

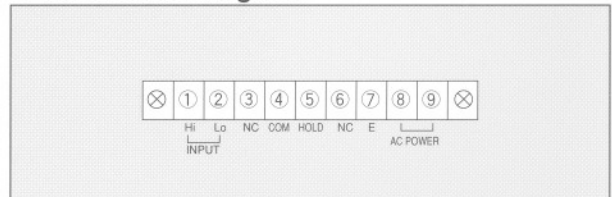
AP-166-□□-□



### ■ Dimensions



### ■ Connection Diagram



Sales, Service, Technical support

Topac Inc.

101 Derby St., Hingham MA 02043 USA

www.topac.com, sales@topac.com

Tel: 781 740 8778 Fax: 781 740 8779