

# SETPOINT COMPARATOR

## AMH-133

Topac Inc. □

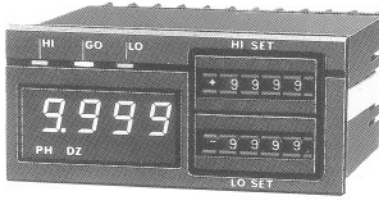
101 Derby St. Suite 203 □

Hingham Ma 02043 □

Tel: 781 740 8778 Fax: 781 740 8779 □

www.topac.com/DPM.html

\* Conversion Rate 100 times/sec

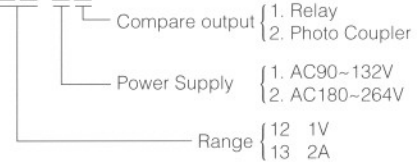


### ■ Features

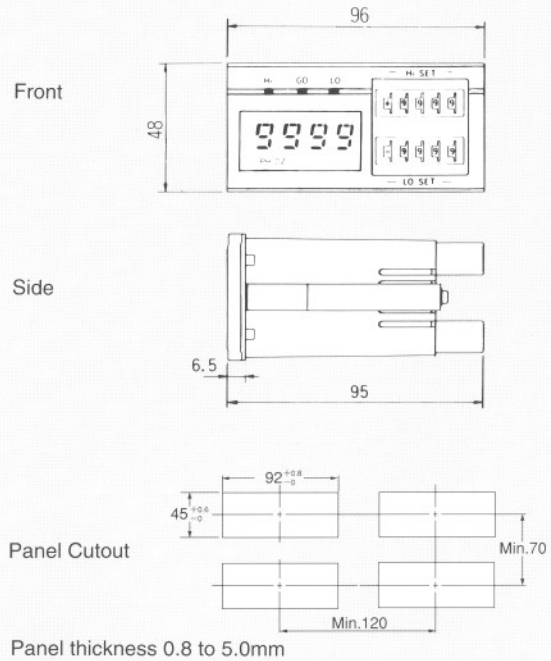
- Conversion Rate 100/sec
- Digital Zero (Option)
- Offset Adjustment  $\pm 9999$
- Full scale Adjustment  $\pm 9999$
- Peak, Valley, Peak-Valley Hold (Option)
- Bright LED 10mm (Red)

### ■ Ordering Code

AMH-133-□□-□□

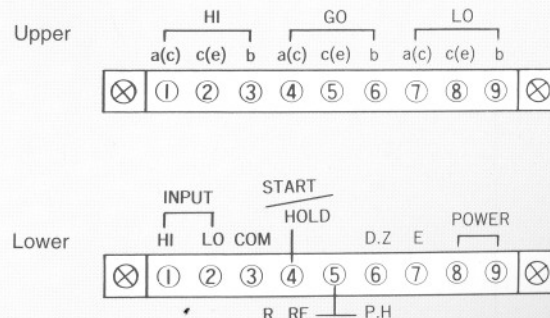


### ■ Dimensions



### ■ Connection Diagram

( ) : PHOTO COUPLER



### ■ DC Voltage Measurement

Model	Range	Display Adjustable	Input Impedance	Input Protection
AMH-133-12	$\pm 999.9\text{mV}$	Offset $\pm 9999$ Fullscale	$100\text{M}\Omega$	$\pm 250\text{V}$
AMH-133-13	$\pm 9.999\text{V}$	0 - $\pm 9999$	$1\text{M}\Omega$	$\pm 250\text{V}$

Accuracy:  $\pm 0.03\%$  rdg  $\pm 3$  digits ( $23^\circ\text{C} \pm 5^\circ\text{C}$ )

### ■ 1-5V Measurement

Model	Range	Display Adjustable	Input Impedance	Input Protection
AMH-133-1V	1-5V	Offset $\pm 9999$ Fullscale 0 - $\pm 9999$	$1\text{M}\Omega$	$\pm 250\text{V}$

Accuracy:  $\pm 0.03\%$  rdg  $\pm 3$  digits ( $23^\circ\text{C} \pm 5^\circ\text{C}$ )

### ■ 4-20mA Measurement

Model	Range	Display Adjustable	Internal Resistance	Input Protection
AMH-133-2A	4-20mA	Offset $\pm 9999$ Fullscale 0 - $\pm 9999$	$50\Omega$	$\pm 70\text{mA}$

Accuracy:  $\pm 0.1\%$  rdg  $\pm 3$  digits ( $23^\circ\text{C} \pm 5^\circ\text{C}$ )

### ■ Specifications

Input Configuration: Single Ended  
 Input Bias Current:  $2\text{nA}$  (typ.)  
 Conversion rate: 100/sec.  
 Display: LED, 10mm (Red)  
 Display Speed: 12.5/sec  
 Polarity: A "-" is displayed automatically  
 Overrange Indication: When input exceeds the maximum display, 0.L or -0.L  
 Decimal Point: Settable to any digit position  
 Zero Display: Leading zero suppression  
 External Control: Hold/Start  
 Digital Zero (D.Z)  
 Reset (R.RE)  
 Peak Hold (PH)  
 Valley Hold (VH)  
 Peak-Valley Hold (PVH)  
 Control System: Microcomputer  
 Setting Range: -9999 to 0 to +9999  
 Comparative Condition: Indication  $>$  High set point  $\rightarrow$  HI  
 High set point  $\geq$  Indication  $\geq$  Low set point  $\rightarrow$  GO  
 Indication  $<$  Low set point  $\rightarrow$  LO  
 Relay Contact Capacity: AC250V 0.1A Resistive load  
 AC120V 0.5A Resistive load  
 DC28V 1A Resistive load  
 Photo Coupler output: Applied Voltage 30V Max  
 Current 20mA Max.  
 Saturated output voltage less than 1.2V at 20mA  
 Operating Temp.:  $0-50^\circ\text{C}$  35 to 85% RH  
 Power Supply: 90 to 132V AC  
 180 to 264V AC  
 Power Consumption: 2.5VA Typ.  
 Dimensions: 48(H)  $\times$  96(W)  $\times$  95(D)mm DIN size  
 Weight: 350g  
 Dielectric Strength: Between input (LO) and earth, 500VDC  
 Between power supply terminal and input terminal, earth, COM, case, relay output  
 1500VAC/min.  
 Insulation Resistance: 500VDC  $100\text{M}\Omega$  or more at above terminals