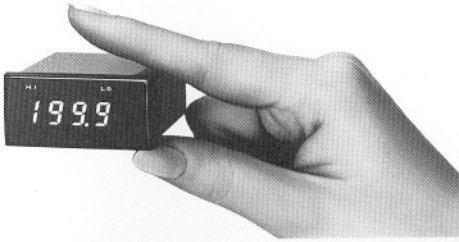


SETPOINT COMPARATOR

AM-212

*Two Setpoints



■ DC Voltage Measurement

Model	Range	Display Adjustable	Input Impedance	Input Protection
AM-212-11	±199.9mV	Offset	100MΩ	±100V
AM-212-12	±1.999V	±1000	100MΩ	±250V
AM-212-13	±19.99V	Fullscale	10MΩ	±250V
AM-212-14	±199.9V	±100~1999	10MΩ	±500V

Accuracy: ±0.1% rdg. ±2 digit (23°C ±5°C)

■ DC Current Measurement

Model	Range	Display Adjustable	Input Resistance	Input Protection
AM-212-21	±199.9μA	Offset	1kΩ	±10mA
AM-212-22	±1.999mA	±1000	100Ω	±50mA
AM-212-23	±19.99mA	Fullscale	10Ω	±150mA
AM-212-24	±199.9mA	±100~1999	*1Ω	±500mA
AM-212-25	±1.999A	±100~1999	*0.1Ω	±3A

Accuracy: ±0.1% rdg. ±2 digit (23°C ±5°C)
±0.3% rdg. ±1 digit only for AM-212-25

* These resistors are connected to the outside of the unit.

■ 1-5V Measurement

Model	Range	Display Adjustable	Input Impedance	Input Protection
AM-212-1V	1~5V	Offset±1000 Fullscale 100~1999	1MΩ	±250V

Accuracy: ±0.1% rdg. ±2 digit (23°C ±5°C)

■ 4-20mA Measurement

Model	Range	Display Adjustable	Internal Resistance	Input Protection
AM-212-2A	4-20mA	Offset±1000 Fullscale 100~1999	51Ω	±70mA

Accuracy: ±0.1% rdg. ±2 digit (23°C ±5°C)

■ Specifications

Input Configuration: Single Ended
 Input Bias Current: 2nA (Typ.)
 Conversion Rate: 2.5/sec
 Normal Mode Rejection: NMR 40dB typ. (50/60Hz)
 Zero Stability: Automatic zero adjustment
 Display: LED, 8mm (Red)
 Decimal Point: Settable to any digit position
 Polarity: A "-" is displayed automatically
 Overrange Indication: When input exceeds the maximum display, 1999 flashes
 Power Supply: DC24V ±20% 20mA Typ.
 Operating Temperature: 0~50°C, 35 to 85%RH
 Power Consumption: 480mW
 Dimensions: 24(H) × 48(W) × 88(D)mm DIN size
 Weight: 55g
 Dielectric Strength: Between power supply (0V) and input terminal (Lo), DC500V/1min.
 Between input terminal (LO) and case, AC1500V/1 min.
 Insulation Resistance: DC500V, more than 100MΩ at above terminal
 Output: Temperature Characteristic: 0.3 digit/°C
 Fullscale Adjustment: 100~1999
 Offset Adjustment: ±1000
 Span Range: 2000 counts
 Analog Output: 1mV/digit (0~±2V), more than 1kΩ load
 Setting Range: 100 to +1999
 Setting Accuracy: Set value ±2 digit (23°C ±5°C)
 Setting Method: By potentiometer

■ Features

- HI and LO set-point
- Bright LED 8mm (Red)
- 200mV~200V, 200μA~2A Measurement
- 1~5V, 4~20mA Measurement
- Power Supply DC24V ±20%(Isolated)
- Offset ±1000 adjustable
- Fullscale 100~1999 adjustable

Relay Contact Capacity: AC250V 0.1A resistive load
AC120V 0.5A resistive load
DC28V 1A resistive load

Response Speed: 5mS typ.

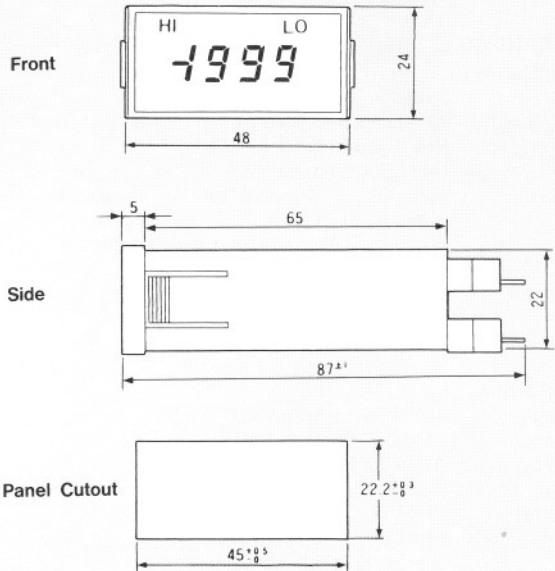
■ Ordering Code

AM-212-□□-4

Power Supply 4, DC24V (Isolated)

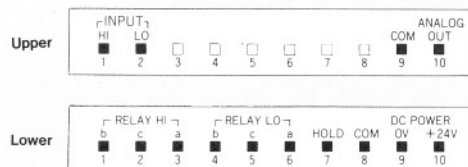
Range { 11 21 1V
 2 2 1
 14 25 2A

■ Dimensions



Panel thickness 0.8~3.5mm

■ Connection Diagram



Topac Inc. □
 101 Derby St. Suite 203 □
 Hingham Ma 02043 □
 Tel: 781 740 8778 Fax: 781 740 8779 □
 www.topac.com/DPM.html