

# REMOTE MONITOR

## AI-902

\*Large Display



### Specifications

Display: LED, 60(W) x 101.6(H)mm (Red)  
 Zero Display: Leading zero suppression  
 Input: Parallel BCD open collector  
 L: 0 to 2V, H: 6 to 30V Sink current 7mA  
 Selectable positive or negative logic by dip switch

Decemal Point: Settable to any digit position  
 Operating Temperature: 0 to 50°C, 45 to 85% RH  
 Power Supply: 90 to 264VAC  
 Power Consumption: For 4 Digit; 9VA  
 For 5 Digit; 10VA  
 For 6 Digit; 11VA

Dielectric Strength: Power supply and case, 1500VAC/1 min.  
 Insulation Resistance: DC500V 100M Ω at above terminals  
 Dielectric Noise: Power supply and normal, common mode ± 1500V (Noise width 500ns)

Dimensions: For 4 and 5 Digit 589(W) x 180(H) x 100(D)mm  
 For 6 Digit 680(W) x 180(H) x 100(D)mm

Weight: For 4 Digit; Approx. 6.7 Kgs  
 For 5 Digit; Approx. 6.7 Kgs  
 For 6 Digit; Approx. 7.5 Kgs

Accessories: Mounting plate 2pcs, screw M8 6pcs,  
 Instruction manual, Connector

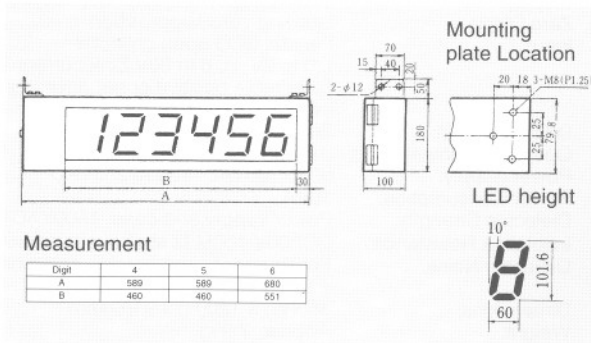
### Ordering Code

AI-902-□  
 □ No. of digit { 1. 4 digit  
 2. 5 digit  
 3. 6 digit

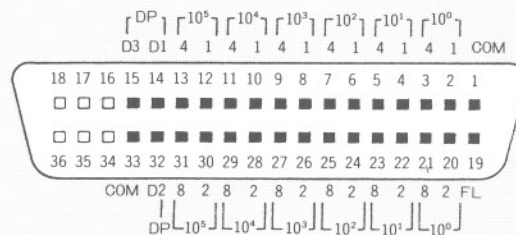
### Features

- LED height 60(W) × 101.6(H) mm
- BCD signal input
- 90 to 264 VAC

### Dimensions



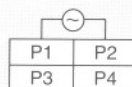
### Connection Diagram



### Connection Diagram

Power Supply

AC90~264V



Terminal No.	Connection	Terminal No.	Connection
P1	0V	P2	AC90~264V
P3	0V	P4	AC90~264V

Sales, Service, Technical support

Topac Inc.

101 Derby St., Hingham MA 02043 USA

www.topac.com, sales@topac.com

Tel: 781 740 8778 Fax: 781 740 8779